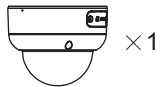


# Dome Network Camera

Installation Guide

V1.0.0



1.1 Optional

PH1  
0.6 N·m

1.2

RESET

Micro SD

2

T10  
0.6 N·m

3.1.1

3.1.2

Ø5 mm

3.1.3

3.1.4

PH1  
0.6 N·m

A B

A B

3.2.1

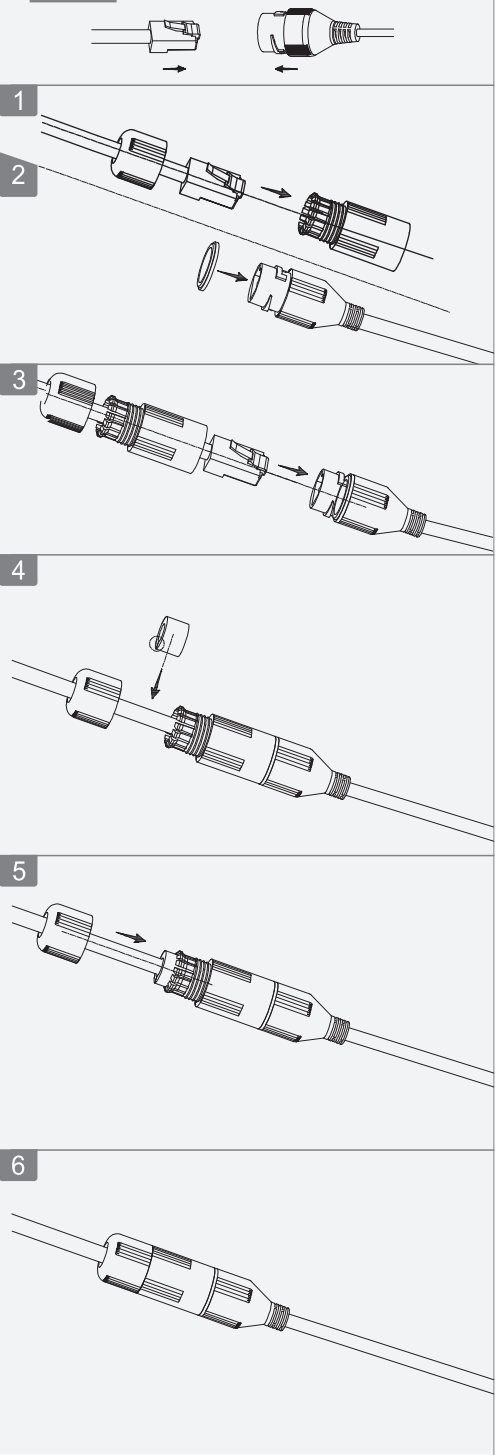
3.2.2

3.2.3

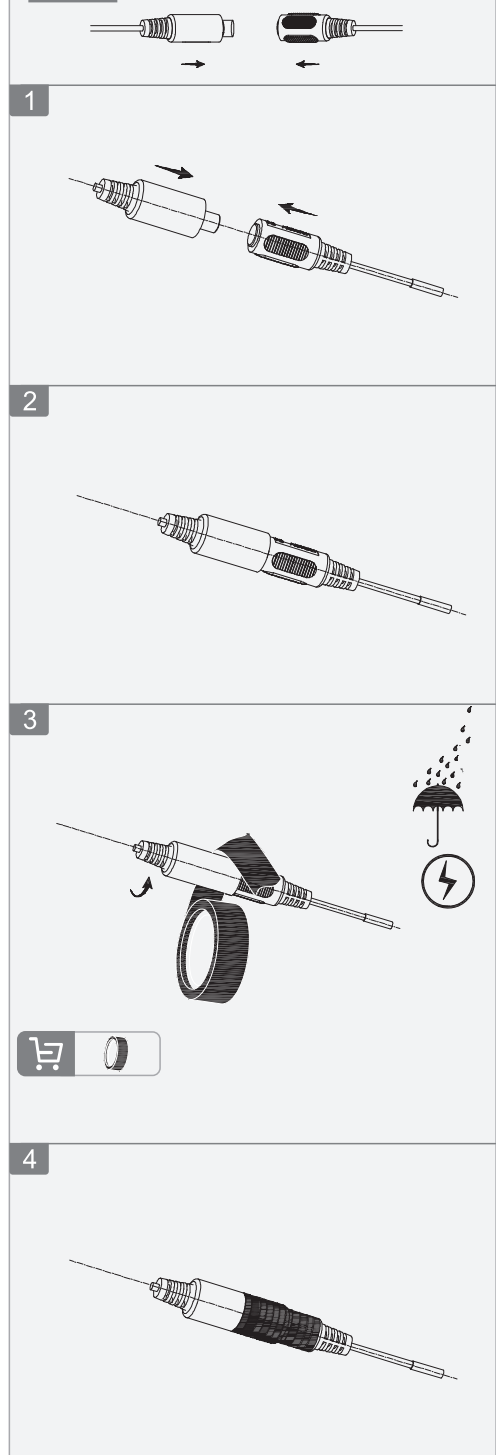
3.2.4

A B

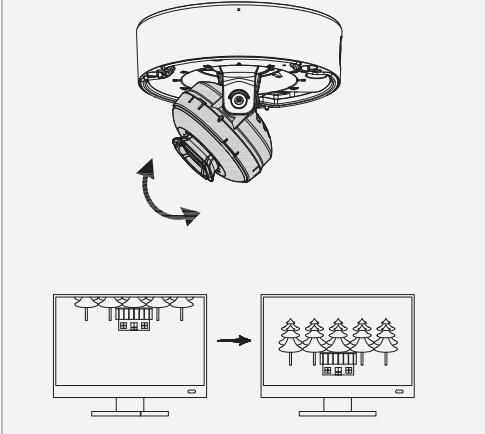
# A Optional



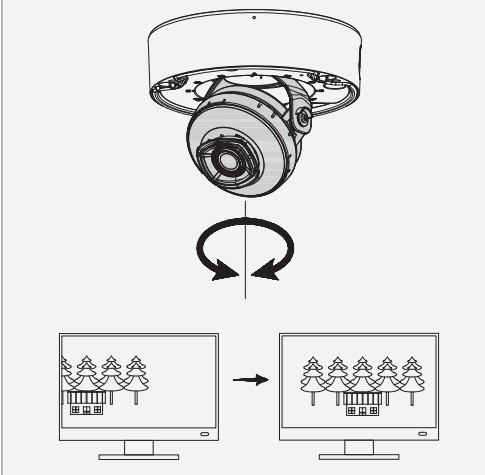
# B



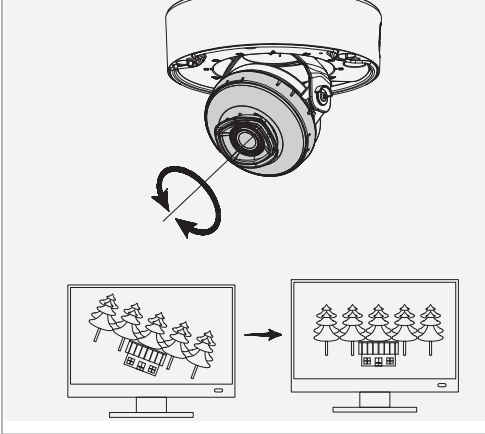
# 4.1



# 4.2



# 4.3



# 5

