



Eyeball Network Camera

Application Quick Start Guide



Table of Contents

1 Operating with DMSS	1
2 Installation	3
2.1 Packing List	3
2.2 Dimensions.....	3
2.3 Installing the Camera	4
2.3.1 Installation Methods.....	4
2.3.2 (Optional) Installing the SD Card.....	4
2.3.3 Attaching the Camera	4
2.3.4 (Optional) Installing the Waterproof Connector.....	6
2.3.5 Adjusting the Lens Angle	6

1 Operating with DMSS

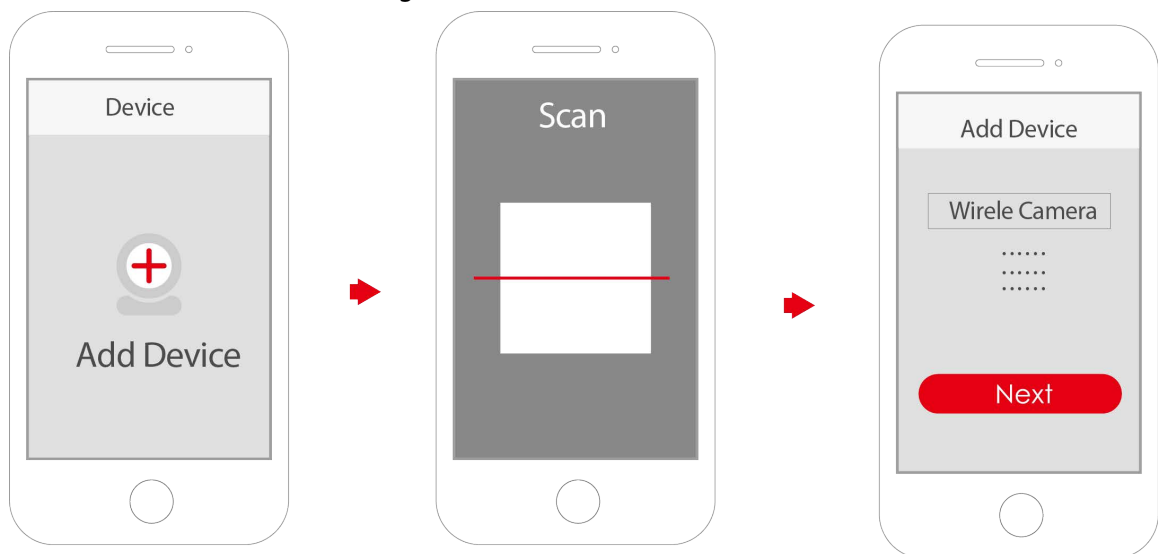


Make sure that there are no obstacles and electromagnetic interference between the device and the router for best possible wireless performance.

Step 1 Add the device.

- 1) Tap + button on the upper-right corner of the DMSS home page to scan the QR code on the camera. If your DMSS fails to scan the QR code, tap **Manually enter SN**.
- 2) Select **Wireless Camera**.

Figure 1-1 Add the device



Step 2 Configure the device hotspot.



If you connect the device with the Ethernet cable, please jump to Step4 directly.

- 1) Make sure that the device is connected to power and enable device hotspot, and then tap **Next**.
- 2) Go to Wi-Fi settings on your mobile phone, connect hotspot named DAP-xxxxxxx.
- 3) Enter the username and password for the device, and then tap **Next**.

Figure 1-2 Configure the device hotspot



Step 3 Configure the Wi-Fi.

Select your Wi-Fi network from the SSID list, and then enter the password.

Step 4 Configure the device information.

- 1) Create the device name and password.
- 2) Set the time zone, and then click **Done**.

Figure 1-3 Configure the device information



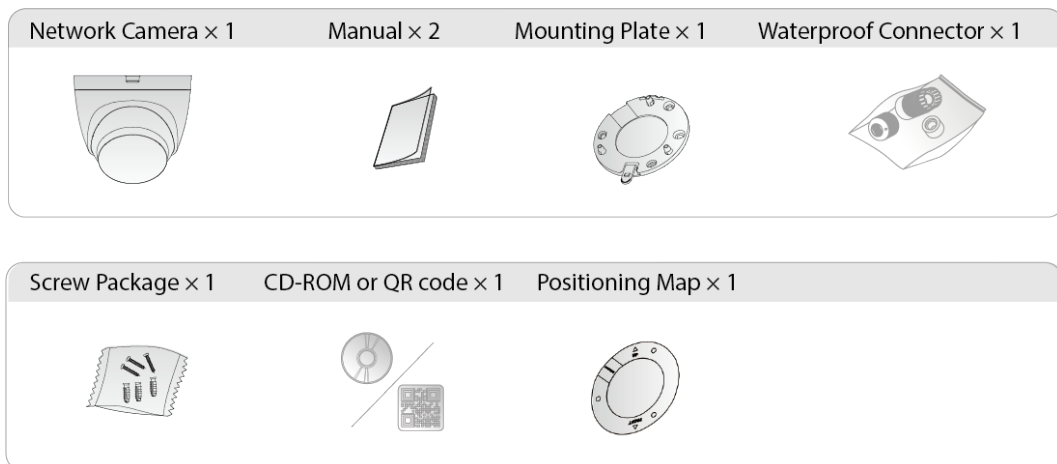
2 Installation

2.1 Packing List



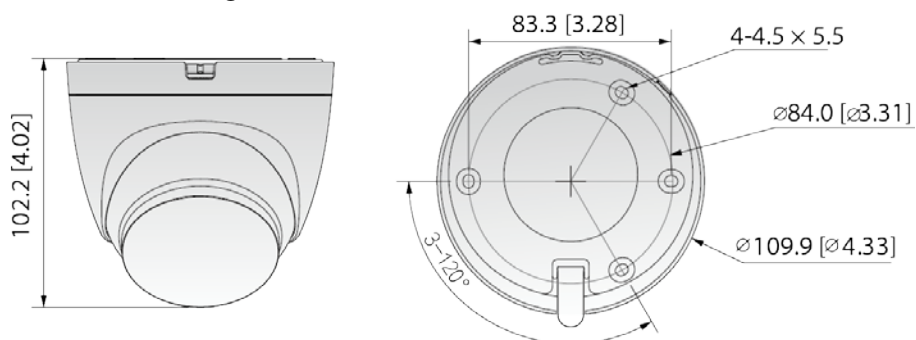
- Tools required for installation, such as the electric drill, are not included in the package.
- The operation manual and information on the tools are on the disk or the QR code.

Figure 2-1 Packing list



2.2 Dimensions

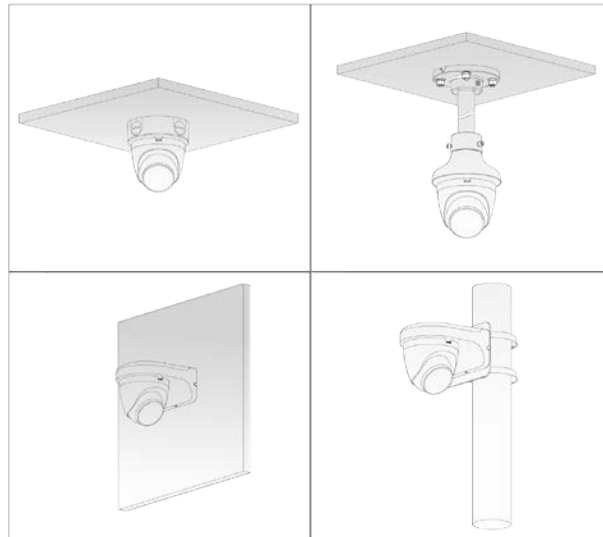
Figure 2-2 Dimensions (mm [inch])



2.3 Installing the Camera

2.3.1 Installation Methods

Figure 2-3 Installation methods



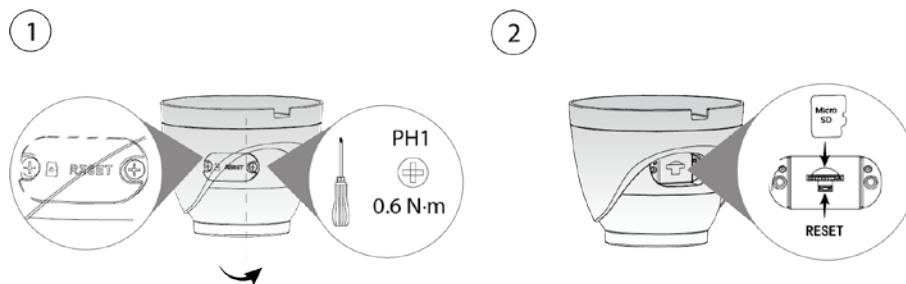
2.3.2 (Optional) Installing the SD Card

- SD card slot is available on select models.
- Disconnect the power before installing or removing the SD card.



Press the reset button for 10 seconds to reset the device.

Figure 2-4 Install the SD card



2.3.3 Attaching the Camera



Make sure that the mounting surface is strong enough to hold at least three times the weight of the camera and bracket.

Figure 2-5 Cable going through the side cable tray

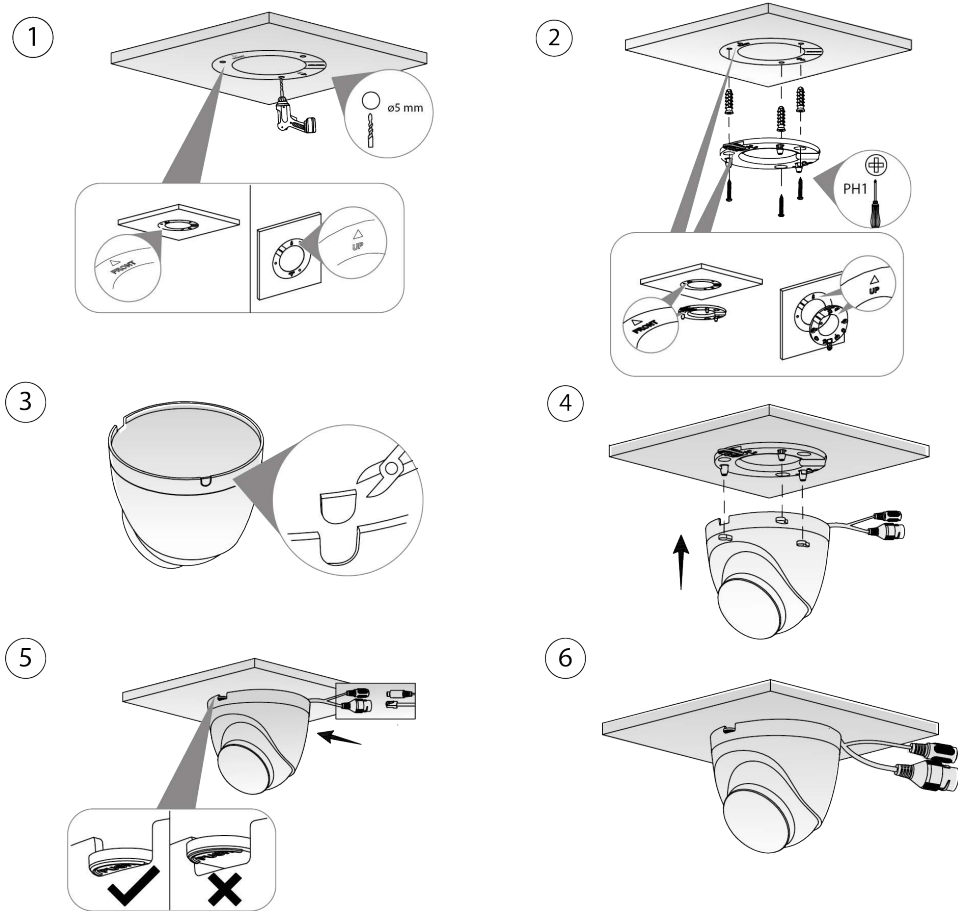
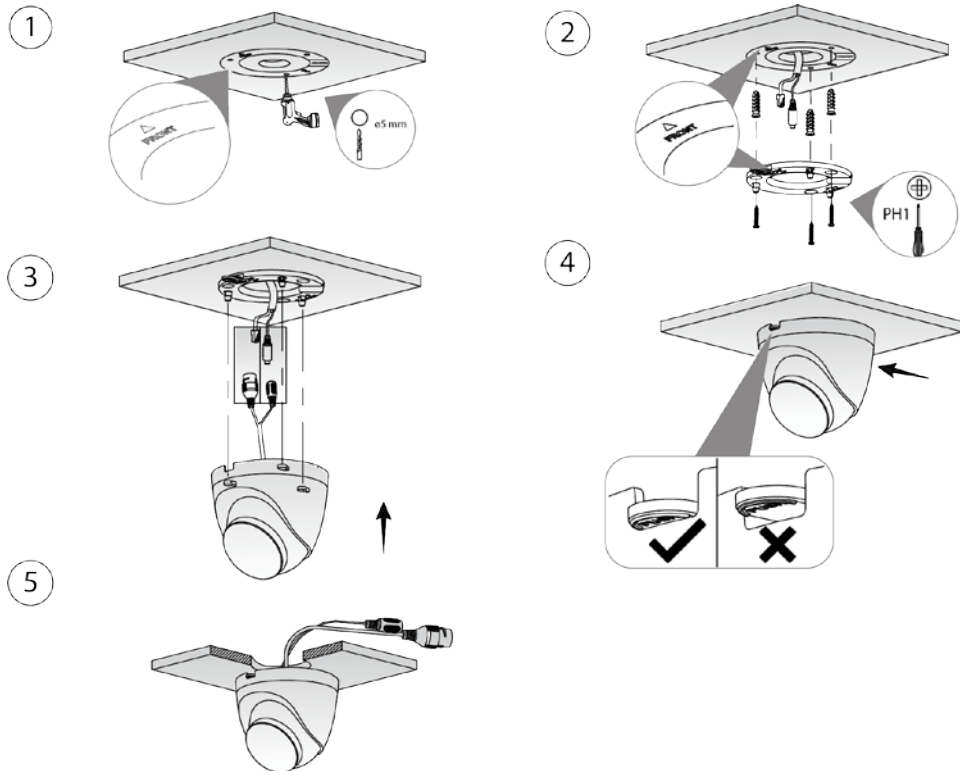


Figure 2-6 Cable going through the mounting surface

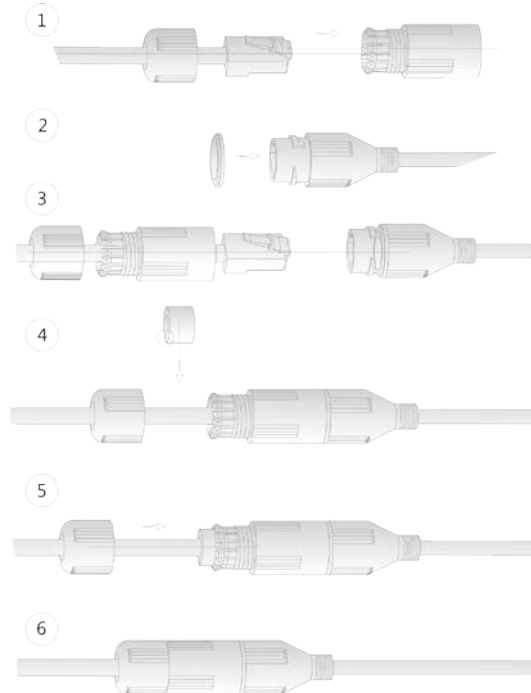


2.3.4 (Optional) Installing the Waterproof Connector



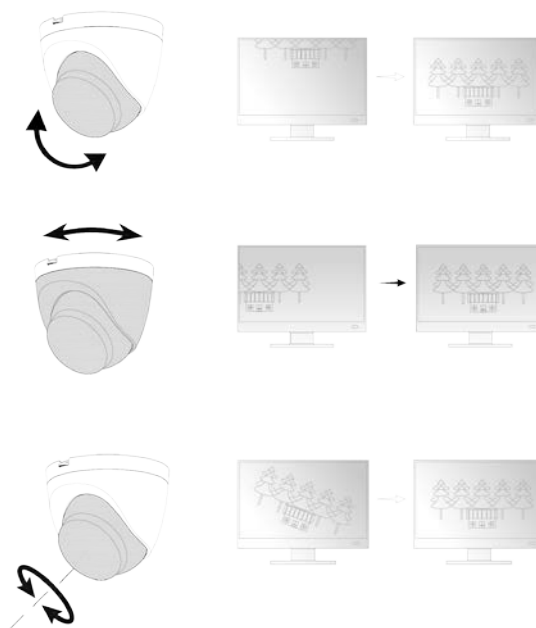
This part is needed only when a waterproof connector comes with the camera and the camera is used outdoors.

Figure 2-7 Install the waterproof connector



2.3.5 Adjusting the Lens Angle

Figure 2-8 Adjust the lens angle



ENABLING A SAFER SOCIETY AND SMARTER LIVING

ZHEJIANG DAHUA VISION TECHNOLOGY CO., LTD.

Address: No.1199 Bin'an Road, Binjiang District, Hangzhou, P. R. China | Website: www.dahuasecurity.com | Postcode: 310053

Email: overseas@dahuatech.com | Fax: +86-571-87688815 | Tel: +86-571-87688883