

Aruba 2930F 24G/48G Switch Quick Setup Guide and Safety/Regulatory Information

aruba

a Hewlett Packard
Enterprise company



Part Number: 5200-4436
Published: 2017 October
Edition: 1

Notices

The information contained herein is subject to change without notice. The only warranties for Hewlett Packard Enterprise products and services are set forth in the express warranty statements accompanying such products and services. Nothing herein should be construed as constituting an additional warranty. Hewlett Packard Enterprise shall not be liable for technical or editorial errors or omissions contained herein.

Confidential computer software. Valid license from Hewlett Packard Enterprise required for possession, use, or copying. Consistent with FAR 12.211 and 12.212, Commercial Computer Software, Computer Software Documentation, and Technical Data for Commercial Items are licensed to the U.S. Government under vendor's standard commercial license.

Links to third-party websites take you outside the Hewlett Packard Enterprise website. Hewlett Packard Enterprise has no control over and is not responsible for information outside the Hewlett Packard Enterprise website.

Acknowledgments

Intel[®], Itanium[®], Pentium[®], Intel Inside[®], and the Intel Inside logo are trademarks of Intel Corporation in the United States and other countries.

Microsoft[®] and Windows[®] are either registered trademarks or trademarks of Microsoft Corporation in the United States and/or other countries.

Adobe[®] and Acrobat[®] are trademarks of Adobe Systems Incorporated.

Java[®] and Oracle[®] are registered trademarks of Oracle and/or its affiliates.

UNIX[®] is a registered trademark of The Open Group.

Applicable products

Aruba 2930F 24G 4SFP+ Switch	JL253A
Aruba 2930F 48G 4SFP+ Switch	JL254A
Aruba 2930F 24G 4SFP Switch	JL259A
Aruba 2930F 48G 4SFP Switch	JL260A
Aruba 2930F 24G PoE+ 4SFP+ Switch	JL255A
Aruba 2930F 48G PoE+ 4SFP+ Switch	JL256A
Aruba 2930F 24G PoE+ 4SFP Switch	JL261A
Aruba 2930F 48G PoE+ 4SFP Switch	JL262A
Aruba 2930F 24G PoE+ 4SFP+ TAA Switch	JL263A
Aruba 2930F 48G PoE+ 4SFP+ TAA Switch	JL264A
Aruba 2930F 48G PoE+ 4SFP 740W Switch	JL557A
Aruba 2930F 48G PoE+ 4SFP+ 740W Switch	JL558A
Aruba 2930F 48G PoE+ 4SFP+ 740W TAA Switch	JL559A

Chapter 1 Aruba 2930F 24G/48G Switch Quick Setup Guide	4
Installation precautions.....	4
Preparing for installation.....	5
Mounting Aruba 2930F 24-Port and 48-Port switches.....	6
Two-post rack mounting option:.....	7
Tabletop or desktop mounting option.....	7
Connecting the switch to the network.....	8
SFP/SFP+ installation notes.....	11
Use only genuine Aruba SFP/SFP+ transceivers.....	11
Hot swapping SFP/SFP+ transceivers.....	11
SFP/SFP+ connections to devices with fixed speed/duplex configurations.....	11
Switch operating system software.....	11
Regulatory information.....	11
Power cords.....	11
Aruba 2930F Switch safety and regulatory information.....	13
Japan VCCI Class A.....	17
Korea EMC Class A Statement.....	17
Russia/Belarus/Kazakhstan/CEE safety.....	17
Documentation feedback.....	17



The switch drawings in this document are for illustration only and may not match your particular switch model.



For switch and accessories installation information, browse to the manuals for your switch model at www.hpe.com/networking/ResourceCenter.

Installation precautions



- The rack or cabinet must be adequately secured to prevent it from becoming unstable and/or falling over.
 - Devices installed in a rack or cabinet must be mounted as low as possible, with the heaviest devices at the bottom and progressively lighter devices installed on top.
-



-
- Do not ship any switch in a rack without checking for restrictions in the Aruba 2930F Switches Installation and Getting Started Guide. Otherwise, you may void the switch warranty.
 - Ensure that the power source circuits are properly grounded, then use the power cord supplied with the switch to connect it to the power source.
 - Use only approved power cords with your Aruba Networking Product. See **Power cords** on page 11 for acceptable power cords that are appropriate for this product. Failure to use approved power cords can result in personal injury and product damage, and may void your product warranty.
 - If your installation requires a different power cord than the one supplied with the switch, be sure that the cord is adequately sized for the current requirements of the switch. In addition, be sure to use a power cord displaying the mark of the safety agency that defines the regulations for power cords in your country/region. The mark is your assurance that the power cord can be used safely with the switch and power supply.
 - When installing the switch, the AC outlet must be near the switch and be easily accessible in case the switch must be powered off.
 - Do not install the switch in an environment where the operating ambient temperature exceeds its specification. See **Aruba 2930F Switch safety and regulatory information** on page 13.
 - Ensure that the switch does not overload the power circuits, wiring, and over-current protection. To determine the possibility of overloading the supply circuits, add the ampere ratings of all devices installed on the same circuit as the switch and compare the total with the rating limit for the circuit. The maximum ampere ratings are printed on the devices, near the AC power connectors.
 - Ensure that the air flow around the switch is not restricted. Leave at least 3 inches (7.6 cm) for cooling on the sides and rear of the switch. For other available air flow information, see the Aruba 2930F Switches Installation and Getting Started Guide at **Hewlett Packard Enterprise Information Library**.
-

Preparing for installation

1. Unpack and check the included parts:

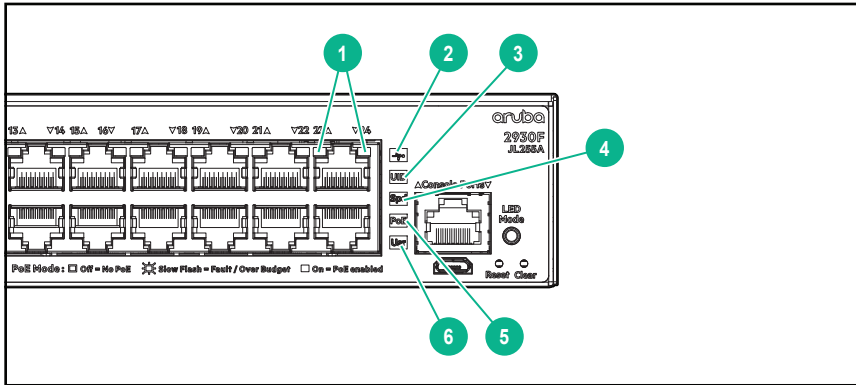
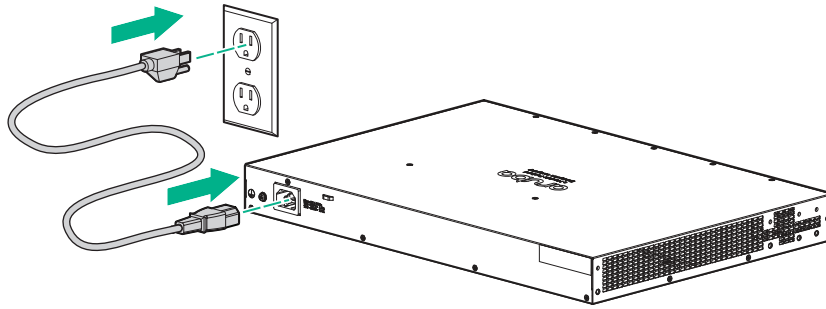
- Switch
- Accessory kit (installation hardware)
- Power cord
- Documentation kit

2. Prepare for installation.



To avoid personal injury or product damage, review **Installation precautions** on page 4 before beginning the installation.

- ### 3. Power on and verify that self-test completes normally. An Aruba 2930F 24G/48G PoE+ / non PoE+ 4SFP / 4SFP+ Switch does not contain a power on/off switch. It is turned on by connecting the AC power cord to the switch and to an AC power source.



1	Port LEDs: Off after self-test unless a network cable is connected and the port is receiving link beat.
2	Global Status LED: Green after self-test in default configuration.
3	Locator/Unit-Identification LED: Off after self-test.
4	Speed Mode Selected LED: Off after self-test in default configuration.
5	PoE Mode Selected LED (Only on Aruba 2930F models that support PoE+ operation): Off after self-test in default configuration.
6	User Mode Selected: Off after self-test in default configuration.

4. Remove the power cord from the switch and the power source.

Mounting Aruba 2930F 24-Port and 48-Port switches

Supported mounting options for the Aruba 2930F 24-Port and 48-Port switches include:

- Rack mount
- Tabletop or desktop mount



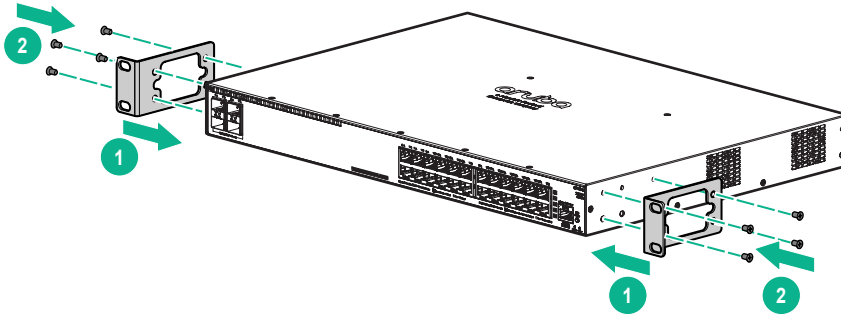
Wall-mounting or under-table mounting Aruba 2930F 24G 4SFP+ Switch and Aruba 2930F 48G 4SFP+ Switch is not supported.

Two-post rack mounting option:

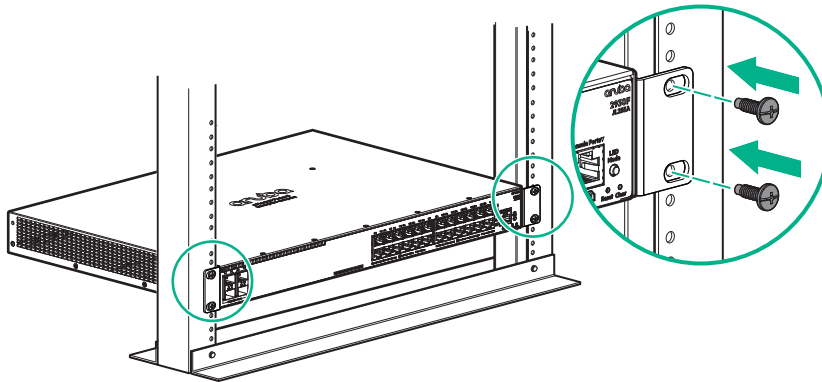


For the four-post rack mount option, see [Aruba 2930F Switches Installation and Getting Started Guide](#).

1. Use a #1 Phillips (cross-head) screwdriver to attach the accessory kit brackets to the switch using the eight 8-mm M4 screws.



2. Use rack screws to secure the brackets to the rack.

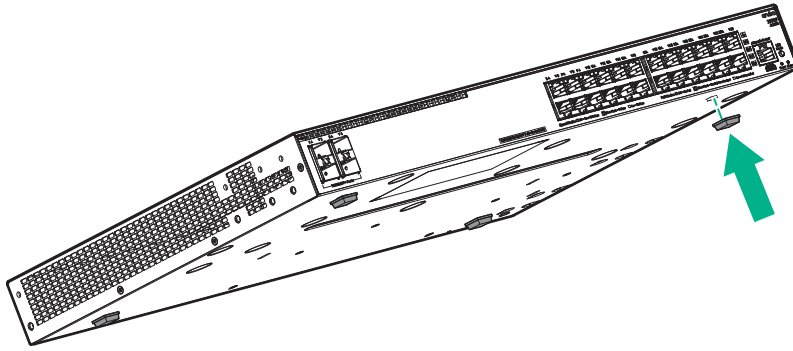


3. For more information, see [Connecting the switch to the network](#) on page 8.

Tabletop or desktop mounting option

Procedure

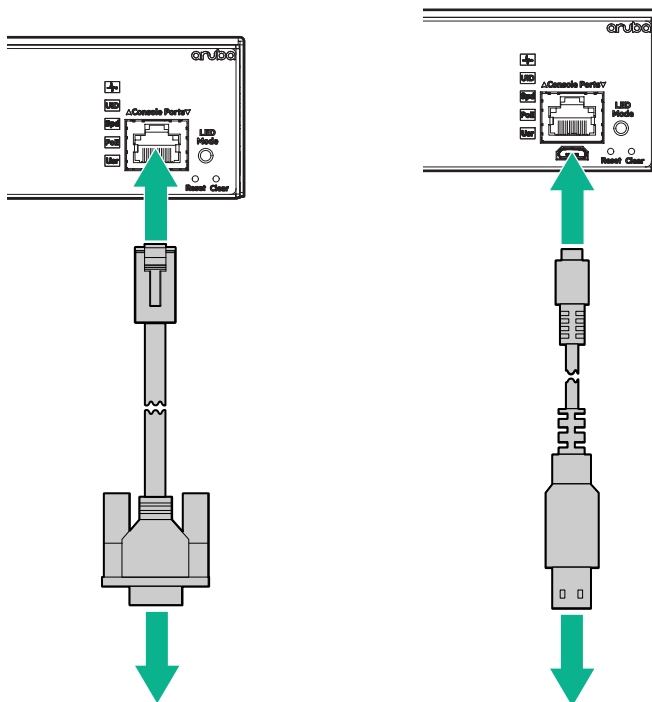
1. Attach the four self-adhesive pads (included in the accessory kit) to the bottom corners of the switch, and place the switch on a secure horizontal surface.



2. For more information, see **Connecting the switch to the network** on page 8.

Connecting the switch to the network

1. (Optional) Connect an RJ-45 console cable (not included) and/or a micro-USB console cable (not included) to a VT-100 terminal or a PC (running suitable terminal emulation software).

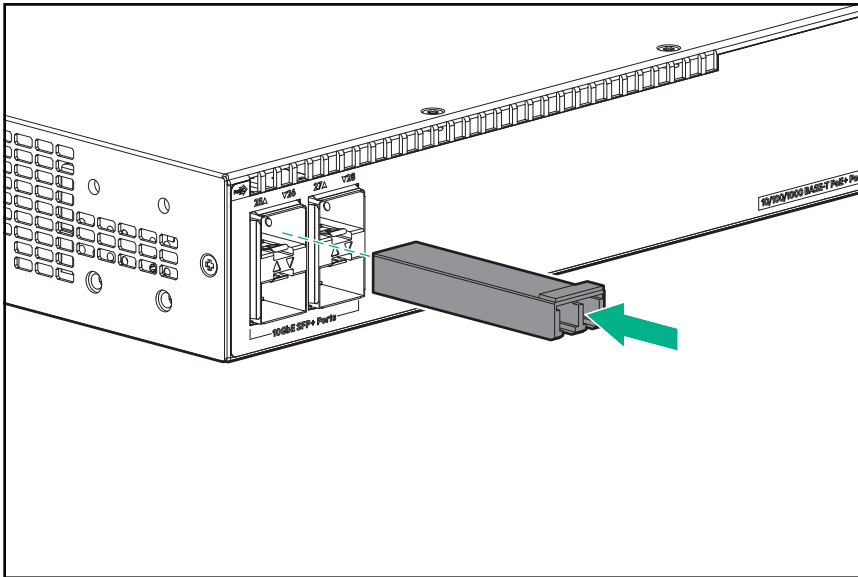


The following RJ45 to DB9 console cable can be ordered as an accessory to your switch:
JL448A, Aruba X2C2 RJ45 to DB9 Console Cable



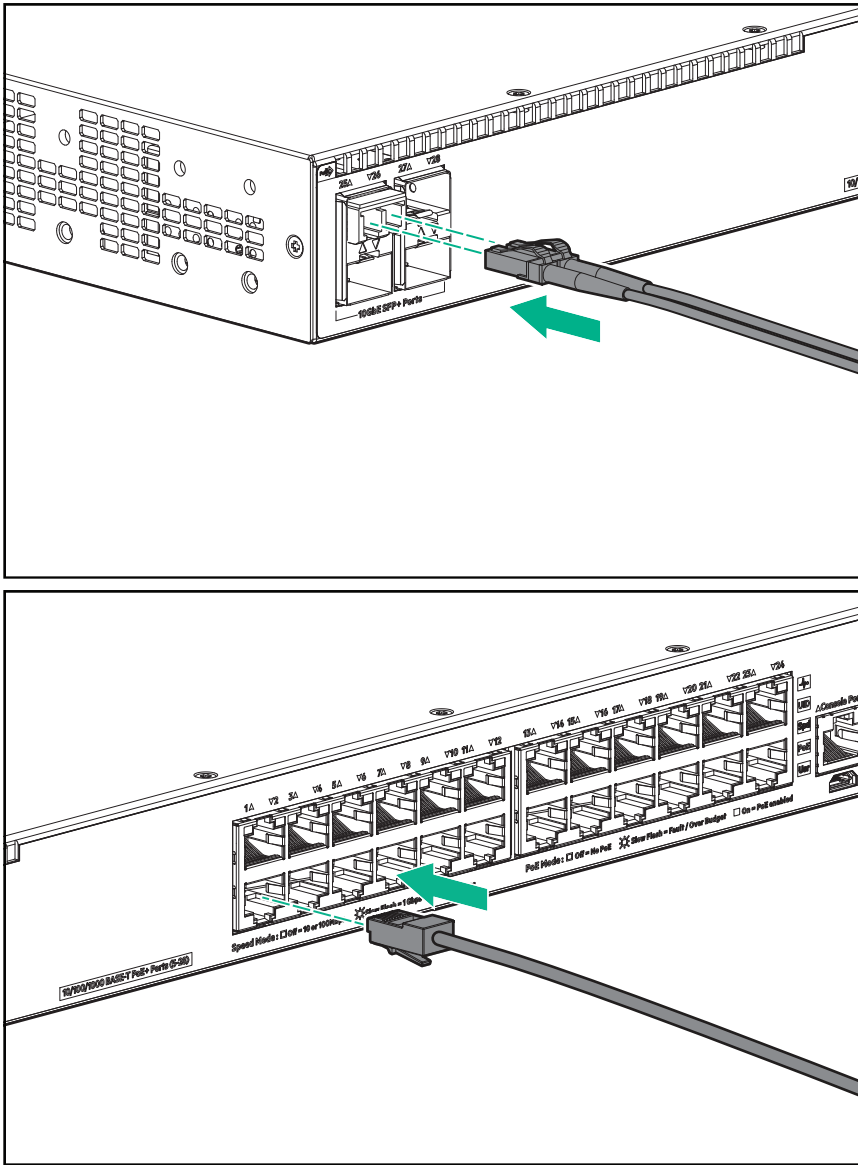
If both cables are connected, input is accepted only from the Micro USB connector. For more information on connecting a Management Console, see **Aruba 2930F Switches Installation and Getting Started Guide**.

2. (Optional) Insert transceivers.



To ensure proper operation of your switch, use only genuine Aruba SFP/SFP+ transceivers supported by your switch. For more information on using transceivers, see **SFP/SFP+ installation notes**.

3. Connect network cables.



In the factory default configuration, the switch automatically obtains its IP network settings from a Dynamic Host Configuration Protocol (DHCP) or BootP server after connecting to the network. If you do not use direct console access to determine the switch IP address initially, you can determine the assigned IP address by inspecting your DHCP/BootP server or by querying the Link Layer Discovery Protocol (LLDP) information from another, directly connected neighbor switch.

CLI LLDP commands for an ArubaOS-Switch neighbor switch are as follows:

```
show lldp info remote port_#
```

For the specified port on the neighbor switch, lists the IP address and other data for the directly connected Aruba 2930F switch (where *port_#* is the port used on the neighbor switch to access the Aruba 2930F switch you are setting up).

```
show lldp info remote all
```

Lists IP address and other data on all active ports on the neighbor switch.

SFP/SFP+ installation notes



To ensure proper operation of your switch, use only the genuine Aruba SFP/SFP+ transceivers supported by your switch. When selecting a fiber SFP device, make sure it can function at a temperature that is not less than the recommended maximum operational temperature of the product. Use only approved Laser Class 1 SFP transceivers.

Use only genuine Aruba SFP/SFP+ transceivers

Non-Aruba SFP/SFP+ transceivers are not supported. Use of genuine Aruba products ensures that your network maintains optimal performance and reliability. Should you require additional transceivers, please contact an Aruba sales representative or an authorized reseller. For transceiver support information for your switch model, see the *ArubaOS-Switch Transceiver Guide* found on the Hewlett Packard Enterprise Information Library at www.hpe.com/networking/ResourceCenter.

Hot swapping SFP/SFP+ transceivers

Supported SFP/SFP+ transceivers that you can install in the Aruba switch can be “hot swapped” – removed and installed while the switch is receiving power. However, you must disconnect the network cables from the SFP/SFP+ transceivers before hot-swapping them.

When you replace an SFP/SFP+ transceiver with a different type of transceiver, the switch may retain selected port-specific configuration settings that were configured for the replaced unit. Be sure to validate or reconfigure port settings as required.

SFP/SFP+ connections to devices with fixed speed/duplex configurations

When connecting a device to your switch port that contains an SFP/SFP+ transceiver, the speed and duplex settings of the switch port and the connected device must match. Otherwise, you may not get a link. For some older network devices, including some older Hewlett Packard Enterprise devices, the default speed/duplex settings may be predefined (for example, to 1000 Mbps/Full Duplex), or otherwise set differently from the default configuration of your switch port. Due to these default speed/duplex considerations, you must ensure that devices connected to your SFP/SFP+ ports are properly configured. At a minimum, ensure that the configurations match.

Switch operating system software

For the latest software version supported by your switch, see <http://www.hpe.com/networking/support>.

For software installation and management, the Basic Operation Guide, and other software documentation for your switch, see [Hewlett Packard Enterprise Information Library](#).

Regulatory information

For important safety, environmental, and regulatory information, see *Safety and Compliance Information for Server, Storage, Power, Networking, and Rack Products*, available at <http://www.hpe.com/support/Safety-Compliance-EnterpriseProducts>.

Power cords

Use one of the following power cords for an Aruba 2930F switch:

Country/Region (# option)	370W and non-PoE switches ¹	740W switches ²
Argentina (#ARM)	J9891A (8121-0729) HPE 1.9m C13 to IRAM 2073 Power Cord	J9960A (8121-1481) HPE 2.5m C15 to IRAM 2073 250V Power Cord
Australia/New Zealand (#ABG)	J9883A (8121-0837) HPE 1.9m C13 to SAA/3 Power Cord	J9941A (8121-1476) HPE 2.5m C15 to SAA/3 250V Power Cord
Brazil (#AC4)	J9894A (8121-1071) HPE 1.9m C13 to BR3 10Amp Power Cord	J9951A (8121-1265) HPE 2.5m C15 to BR3 10Amp 250V Power Cord
Chile (#A1X)	J9886A (8121-0735) HPE 1.9m C13 to CEI 23-50 Power Cord	J9946A (8121-1477) HPE 2.5m C15 to CEI 23-50 3-pole 250V Power Cord
China (#AKM)	J9890A (8121-0943) HPE 1.9m C13 to GB 1002 Power Cord	J9949A (8121-1484) HPE 2.5m C15 to PRC/3 250V Power Cord
Denmark (#ACE)	J9888A (8121-0733) HPE 1.9m C13 to DK 2 5Amp Power Cord	J9948A (8121-1486) HPE 2.5m C15 to DK 2-5A 250V Power Cord
Europe (#ABB) / South Korea (#AC6)	J9885A (8121-0731) HPE 1.9m C13 to CEE 7-xvi Power Cord	J9945A (8121-1479) HPE 2.5m C15 to CEE 7-VIIG 250V Power Cord
India (#AC1) / South Africa (#ACQ)	J9892A (8121-0564) HPE 1.9m C13 to IS 1293 250V Power Cord	J9956A (8121-1483) HPE 2.5m C15 to ZA/3 250V Power Cord
Israel (#AKJ)	J9899A (8121-1004) HPE 1.9m C13 to IL-3 90 Degree 250V Power Cord	J9958A (8121-1478) HPE 2.5m C15 to IL-3 90 Degree 250V Power Cord
Japan (#ACF)	J9893A (8121-1143) HPE 1.9m C13 to 498GJ JP 3-pole 125V Power Cord	J9950A (8121-1482) HPE 2.5m C15 to 498GJ JP 3-pole 125V Power Cord
UK (#ACC) / Hong Kong / Singapore / Malaysia (#ARE)	J9884A (8121-0739) HPE 1.9m C13 to BS 1363/A Power Cord	J9942A (8121-1475) HPE 2.5m C15 to BS 1363/A 250V Power Cord
Switzerland (#ACD)	J9898A (8121-0738) HPE 1.9m C13 to SEV 6534-2 Type 12G 250V Power Cord	J9957A (8121-1480) HPE 2.5m C15 to SEV 6534-2 Type 12G 250V Power Cord
Taiwan (#ARB)	J9887A (8121-0964) HPE 1.9m C13 to CNS 10917-3 Power Cord	J9947A (8121-1511) HPE 2.5m C15 to TW15CS3 125V Power Cord
Thailand (#AKL)	J9895A (8121-0734) HPE 1.9m C13 to NEMA 5-15P Power Cord	J9952A (8121-1485) HPE 2.5m C15 to NEMA 5-15P TH 250V Power Cord
US / Canada / Mexico (#ABA)	J9896A (8121-1141) HPE 1.9m C13 to NEMA 5-15P NA Power Cord	J9953A (8121-0914) HPE 2.5m C15 to NEMA 5-15P Power Cord

¹ JL253A, JL254A, JL259A, JL260A, JL255A, JL256A, JL261A, JL262A, JL263A, JL264A

² JL557A, JL558A, JL559A

PDU Jumper Cord (NA/Japan/Taiwan) J9943A (8121-1091) HPE 2.5m C15 to C14 PDU NA/JP/TW Power Cord.

Aruba 2930F Switch safety and regulatory information

Category	Aruba 2930F Switches
Environmental	32°F to 113°F (0°C to 45°C) up to 5000 Ft
Operating Temperature:	32°F to 104°F (0°C to 40°C) up to 10000 Ft
Operating Relative Humidity:	15% to 95% at 104°F (40°C) non-condensing
Non-Operating/Storage Temperature:	-40°F to 158°F (-40°C to 70°C) up to 15000 ft
Non-Operating/Storage Relative Humidity:	15% to 95% at 149°F (65°C), non-condensing
Maximum Operating Altitude:	3.0 km (10,000 ft)
Maximum Non-Operating Altitude:	4.6 km (15,000 ft)
Airflow direction	Side-to-Side
Safety-EU	IEC 60950-1:2005 +A1:2009 +A2:2013
Safety- World Wide	IEC 60950-1:2005 +A1:2009 +A2:2013
North American	UL60950-1: 2nd Edition, CSA 22.2 No 60950-1-07 2nd
Lasers	EN 60825-1:2014 / IEC 60825-1:2014 Class 1 Class 1 Laser Products / Laser Klasse 1
EMC:	EN 55032:2012 / CISPR 32 Class A; FCC CRF 47 Part 15 Class A; VCCI Class A; ICES-003 Class A; CNS 13438 EN 55024:2010 EN 61000-3-2:2014 EN 61000-3-3:2013
RoHS:	EN 50581:2012

Switch model	Electrical			
	Rated AC voltage	Maximum AC current	PoE+ available power	AC power frequency range
Aruba 2930F 24G 4SFP+ Switch (JL253A)	100–127V / 200–240V	0.6A for 100-127VAC 0.4A for 200-240VAC	N/A	50/60 Hz
Aruba 2930F 48G 4SFP+ Switch (JL254A)	100–127V / 200–240V	0.9A for 100-127VAC 0.6A for 200-240VAC	N/A	50/60 Hz
Aruba 2930F 24G PoE + 4SFP+ Switch (JL255A)	100–127 / V200–240V	4.9A for 100-127VAC 2.4A for 200-240VAC	370W	50/60 Hz
Aruba 2930F 48G PoE + 4SFP+ Switch (JL256A)	100–127V / 200–240V	5.1A for 100-127VAC 2.5A for 200-240VAC	370W	50/60 Hz
Aruba 2930F 24G 4SFP Switch (JL259A)	100–127V / 200–240V	0.6A for 100-127VAC 0.4A for 200-240VAC	N/A	50/60 Hz
Aruba 2930F 48G 4SFP Switch (JL260A)	100–127V / 200–240V	0.9A for 100-127VAC 0.6A for 200-240VAC	N/A	50/60 Hz
Aruba 2930F 24G PoE + 4SFP Switch (JL261A)	100–127V / 200–240V	4.9A for 100-127VAC 2.4A for 200-240VAC	370W	50/60 Hz
Aruba 2930F 48G PoE + 4SFP Switch (JL262A)	100–127V / 200–240V	5.1A for 100-127VAC 2.5A for 200-240VAC	370W	50/60 Hz
Aruba 2930F 24G PoE + 4SFP+ TAA-compliant Switch (JL263A)	100–127V / 200–240V	4.9A for 100-127VAC 2.4A for 200-240VAC	370W	50/60 Hz

Table Continued

Switch model	Electrical			
	Rated AC voltage	Maximum AC current	PoE+ available power	AC power frequency range
Aruba 2930F 48G PoE + 4SFP+ TAA-compliant Switch (JL264A)	100–127V / 200–240V	5.1A for 100-127VAC 2.5A for 200-240VAC	370W	50/60 Hz
Aruba 2930F 48G PoE + 4SFP 740W Switch (JL557A)	100-127 / 200-240 VAC	9.2A for 100-127VAC 4.9A for 200-240VAC	740W	50/60 Hz
Aruba 2930F 48G PoE + 4SFP+ 740W Switch (JL558A)	100-127 / 200-240 VAC	9.2A for 100-127VAC 4.9A for 200-240VAC	740W	50/60 Hz
Aruba 2930F 48G PoE + 4SFP+ 740W TAA Switch (JL559A)	100-127 / 200-240 VAC	9.2A for 100-127VAC 4.9A for 200-240VAC	740W	50/60 Hz

Switch model	Acoustics
Aruba 2930F 24G 4SFP+ Switch (JL253A)	Sound Power (LWAd): 5.0 Bel Sound Pressure (LpAm) (Bystander): 37.1 dB
Aruba 2930F 48G 4SFP+ Switch (JL254A)	Sound Power (LWAd): 5.4 Bel Sound Pressure (LpAm) (Bystander): 40.2 dB
Aruba 2930F 24G PoE+ 4SFP+ Switch (JL255A)	Sound Power (LWAd): 5.4 Bel Sound Pressure (LpAm) (Bystander): 40.6 dB
Aruba 2930F 48G PoE+ 4SFP+ Switch (JL256A)	Sound Power (LWAd): 5.6 Bel Sound Pressure (LpAm) (Bystander): 41.7 dB
Aruba 2930F 24G 4SFP Switch (JL259A)	Sound Power (LWAd): 5.0 Bel Sound Pressure (LpAm) (Bystander): 37.1 dB
Aruba 2930F 48G 4SFP Switch (JL260A)	Sound Power (LWAd) 5.4 Bel Sound Pressure (LpAm) (Bystander) 40.2 dB
Aruba 2930F 24G PoE+ 4SFP Switch (JL261A)	Sound Power (LWAd): 5.4 Bel Sound Pressure (LpAm) (Bystander): 40.6 dB

Table Continued

Switch model	Acoustics
Aruba 2930F 48G PoE+ 4SFP Switch (JL262A)	Sound Power (LWAd) 5.6 Bel Sound Pressure (LpAm) (Bystander) 41.7 dB
Aruba 2930F 24G PoE+ 4SFP+ TAA-compliant Switch (JL263A)	Sound Power (LWAd): 5.4 Bel Sound Pressure (LpAm) (Bystander): 40.6 dB
Aruba 2930F 48G PoE+ 4SFP+ TAA-compliant Switch (JL264A)	Sound Power (LWAd): 5.6 Bel Sound Pressure (LpAm) (Bystander): 41.7 dB
Aruba 2930F 48G PoE+ 4SFP 740W Switch (JL557A)	Sound Power (LWAd): 5.51 Bel Sound Pressure (LpAm) (Bystander): 41.1 dB
Aruba 2930F 48G PoE+ 4SFP+ 740W Switch (JL558A)	Sound Power (LWAd): 5.51 Bel Sound Pressure (LpAm) (Bystander): 41.1 dB
Aruba 2930F 48G PoE+ 4SFP+ 740W TAA Switch (JL559A)	Sound Power (LWAd): 5.51 Bel Sound Pressure (LpAm) (Bystander): 41.1 dB



Disconnect all power supply cords before servicing.

Japan power cord warning

製品には、同梱された電源コードをお使い下さい。
同梱された電源コードは、他の製品では使用出来ません。

China altitude warning

安全说明和标记

仅适用于海拔 2000m 以下地区安全使用。

Interior wiring warning



WARNING

FOR INDOOR USE ONLY. The switch, AC power cord, and all connected cables are not designed for outdoor use.

Brazil statement

Este equipamento deve ser conectado obrigatoriamente em tomada de rede de energia elétrica que possua aterramento (três pinos), conforme a Norma NBR ABNT 5410, visando a segurança dos usuários contra choques elétricos.)

Japan VCCI Class A

この装置は、クラスA情報技術装置です。この装置を家庭環境で使用すると電波妨害を引き起こすことがあります。この場合には使用者が適切な対策を講ずるよう要求されることがあります。 VCCI-A

Korea EMC Class A Statement

A급 기기 (업무용 방송통신기기)	이 기기는 업무용(A급)으로 전자파적합등록을 한 기기이오니 판매자 또는 사용자는 이 점을 주의하시기 바라며, 가정 외의 지역에서 사용하는 것을 목적으로 합니다.
-----------------------	---

Russia/Belarus/Kazakhstan/CEE safety



Documentation feedback

Hewlett Packard Enterprise is committed to providing documentation that meets your needs. To help us improve the documentation, send any errors, suggestions, or comments to Documentation Feedback (<mailto:docsfeedback@hpe.com>). When submitting your feedback, include the document title, part number, edition, and publication date located on the front cover of the document. For online help content, include the product name, product version, help edition, and publication date located on the legal notices page.